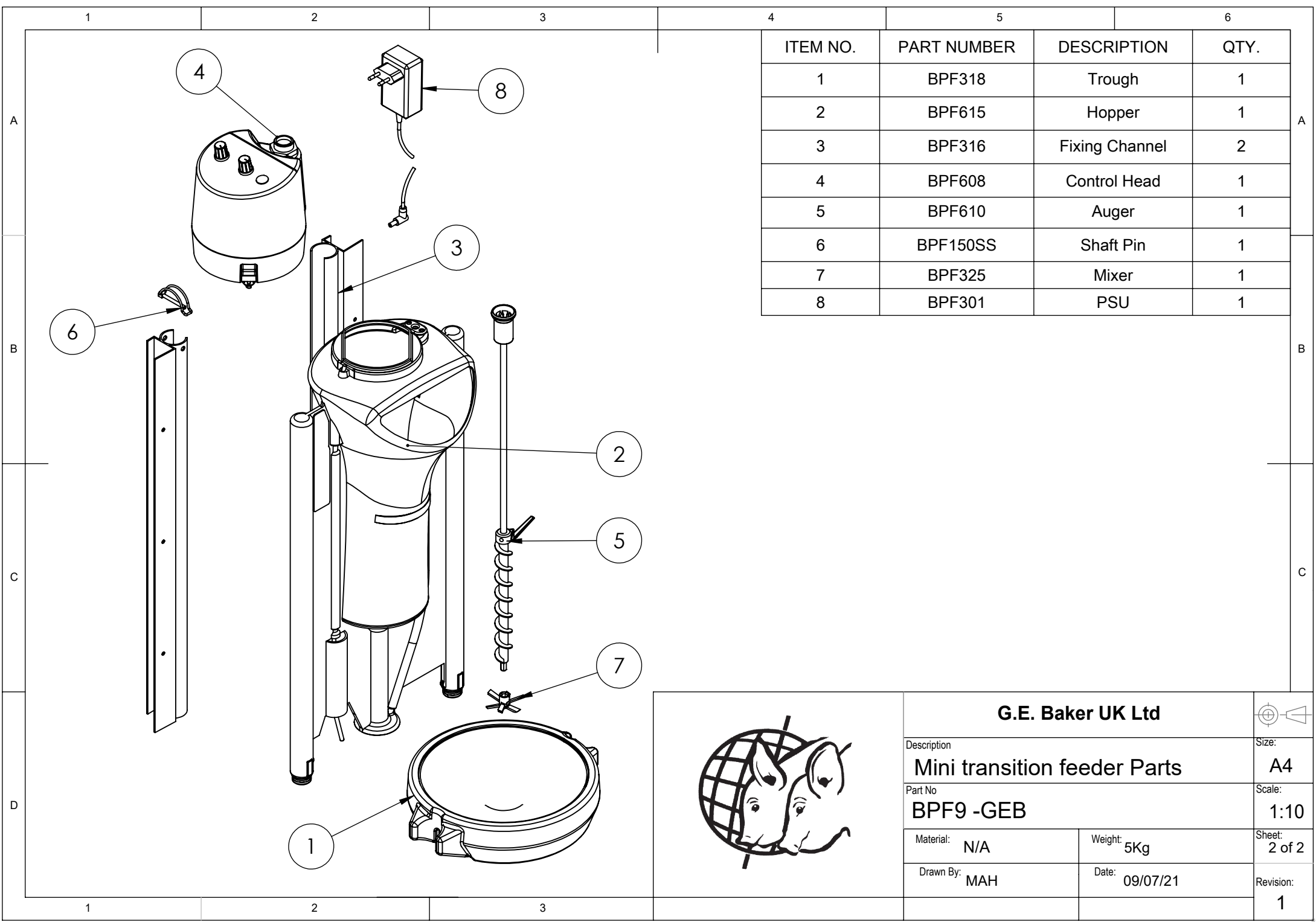
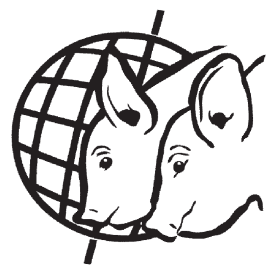


**G.E. Baker UK Ltd**

Description		Size:
<b>Mini Transition Feeder</b>		<b>A4</b>
Part No		Scale:
<b>BPF9 -GEB</b>		<b>1:10</b>
Material:	N/A	Weight: 5 Kg
Drawn By:	MAH	Date: 09/07/21
		Sheet: 1 of 2
		Revision: 1



ITEM NO.	PART NUMBER	DESCRIPTION	QTY.
1	BPF318	Trough	1
2	BPF615	Hopper	1
3	BPF316	Fixing Channel	2
4	BPF608	Control Head	1
5	BPF610	Auger	1
6	BPF150SS	Shaft Pin	1
7	BPF325	Mixer	1
8	BPF301	PSU	1



**G.E. Baker UK Ltd**

Description		Size:	
Mini transition feeder Parts		A4	
Part No		Scale:	
BPF9 -GEB		1:10	
Material:	N/A	Weight:	5Kg
Drawn By:	MAH	Date:	09/07/21
		Sheet:	2 of 2
		Revision:	1